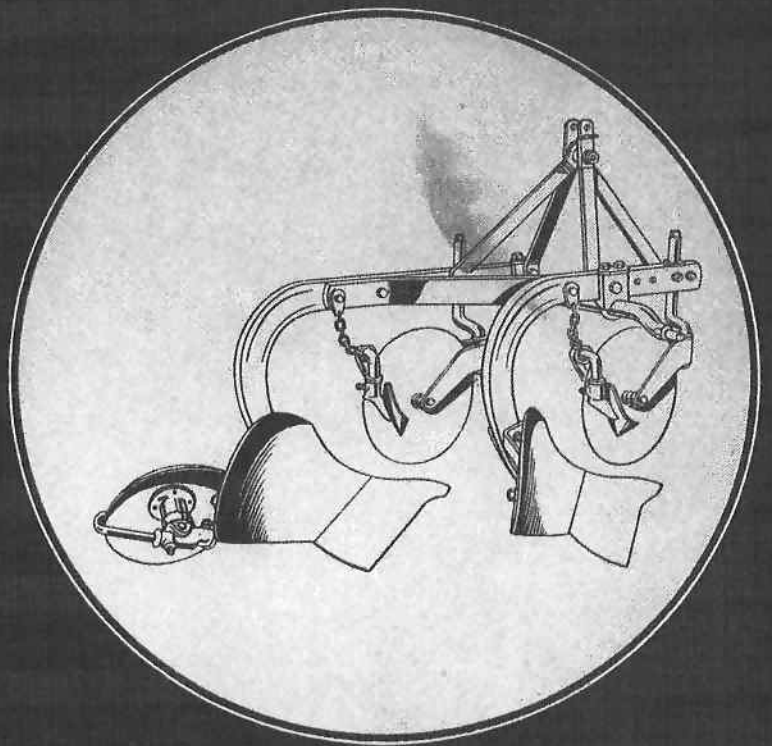




Harry Ferguson, Ltd.
Coventry



PLOUGH

PARTS

LIST

1951

FOREWORD

Ferguson Tractors and Implements are designed and built for maximum performance and long life, and all service parts are manufactured with the same care and precision exercised in production.

STOCK AND SELL ONLY GENUINE

Ferguson SPARE PARTS

YOUR CUSTOMERS EXPECT IT OF YOU !!



INDEX

Numerical Index	1
Frame	3
Base	7
Coulter and Skimmer	9
Furrow Wheel	11

NUMERICAL INDEX

Part No.	Description	Page	Part No.	Description	Page
16AE101	Collar	9	10AE7804C	Brace	3
10HAE110	Mouldboard	7	12AE7804C	Brace	3
12BAE110	Mouldboard	7	16AE7804A	Brace	3
CAE110	Mouldboard	7	10AE7808	Cross Shaft Assy.	3
10HCAE127	Share, Cast Iron, 8" Wing, Sharp Point	7	12AE7808	Cross Shaft Assy.	3
			AE8000C	Strut	3
			AE8002C	Strut	3
10HCAE131	Share, Cast Iron	7	16AE8002A	Strut	3
10HFAE131	Share, Fabricated Steel	7	AE8004C	Strut	3
12BCAE131	Share, Cast Iron	7	AE8005C	Strut	3
12BFAE131	Share, Fabricated Steel, 12" Wing	7	AE9500D	"U" Bolt	5
12BFAE191	Share Fabricated Steel, 10" Wing	7	AE9501	"U" Bolt	11
16CFAE121	Share, Fabricated Steel	7	AE9511C	Eye Bolt	3
AE140B	Extension	7	AE9520	Seal	11
10HAE173	Landside, Front	7	KE9551	Spacer	3
12BAE173A	Landside, Front	7	AE9566C	Spacer	5
10HAE175	Landside, Rear	7	BAE9570	Shim	7
12BAE175A	Landside, Rear	7	CAE9570	Shim	7
CAE175	Landside, Long	7	HAE9570	Shim	7
AE177	Gasket, Furrow Wheel	11	AE9575C	Stopper, Pin	5
AE178C	Blade Assy., Skimmer	9	AE9588D	Clamp	5
16AE178	Blade Assy., Skimmer	9	AE9645D	Clamp	5
AE194	Disc and Hub Assy., Plain	9	AE9646D	Clamp	3
16AE194	Disc and Hub Assy.	9	44FBH88B	Bolt, Hex., $\frac{7}{16}$ " dia. x .88 long	11
AE195	Disc and Hub Assy., Cutout	9	44FBP100B	Bolt, Plough, $\frac{7}{16}$ " dia. x 1.00 long	7
AE202	Disc, Plain	9	44FBP112B	Bolt, Plough, $\frac{7}{16}$ " dia. x 1.12 long	7
16AE202	Disc, Plain	9	44FBH125B	Bolt, Hex., $\frac{7}{16}$ " dia. x 1.25" long	9
AE204	Disc, Cutout	9	44FBP125B	Bolt, Plough, $\frac{7}{16}$ " dia. x 1.25" long	7, 9
16AE204	Disc, Cutout	9	44FBH131B	Bolt, Hex., $\frac{7}{16}$ " dia. x 1.31" long	9
AE1505C	Chain and Anchor Assy.	9	44FBH238B	Bolt, Hex., $\frac{7}{16}$ " dia. x 2.38" long	11
10HAE3800C	Saddle	7	44FBH468B	Bolt, Hex., $\frac{7}{16}$ " dia. x 4.68" long	9
12BAE3800C	Saddle	7	62FBP180B	Bolt, Plough, $\frac{5}{8}$ " dia. x 1.80" long	7, 11
CAE3800	Saddle	7	62FBB212B	Bolt, Button Head, $\frac{5}{8}$ " dia. x 2.12" long	3
AE3802B2	Bracket	11			
AE3803A2	Arm	9	62FBB231B	Bolt, Button Head, $\frac{5}{8}$ " dia. x 2.31" long	3
AE3804	Palm, Skimmer	9			
AE3805A2	Stem Assy.	9	62FBP250B	Bolt, Plough, $\frac{5}{8}$ " dia. x 2.50" long	3, 7
16AE3805B	Coulter Stem Assy.	9	62FBB268B	Bolt, Button Head, $\frac{5}{8}$ " dia. x 2.68" long	5
AE3806	Scraper	11			
10HAE3810	Bracket, Mouldboard	7	62FBP275B	Bolt, Plough, $\frac{5}{8}$ " dia. x 2.75" long	7
12BAE3810	Bracket, Mouldboard	7	62FBH318B	Bolt, Hex., $\frac{5}{8}$ " dia. x 3.18" long	3
10HAE3811	Bracket, Mouldboard	7	62FBH338B	Bolt, Hex., $\frac{5}{8}$ " dia. x 3.38" long	3, 5
12BAE3811	Bracket, Mouldboard	7	62FBH350B	Bolt, Hex., $\frac{5}{8}$ " dia. x 3.50" long	3
CAE3811	Bracket, Mouldboard	7	62FBH462B	Bolt, Hex., $\frac{5}{8}$ " dia. x 4.62" long	5
CAE3815	Clip	7	62FBH531B	Bolt, Hex., $\frac{5}{8}$ " dia. x 5.31" long	5
AE3861A2	Fork Assy.	9	44FNHC	Nut, Hex., $\frac{7}{16}$ "	7, 9, 11
16AE3861B	Fork Assy.	9	62FNHC	Nut, Hex., $\frac{5}{8}$ "	3, 5, 7, 11
AE3918D	Seat	3	44WFHB	Washer, Flat, Heavy, $\frac{7}{16}$ "	9, 11
AE5500	Cover	3	44WLB	Washer, Lock, $\frac{7}{16}$ "	9, 11
AE5502B	Cap	11	50WFHB	Washer, Flat, Heavy, $\frac{1}{2}$ "	7
AE5503A2	Bushing	9	62WFB	Washer, Flat, $\frac{5}{8}$ "	5
AE5505A2	Hub	9	62WLB	Washer, Lock, $\frac{5}{8}$ "	3, 5, 7, 11
AE5515	Bearing	11	S9533	Washer	11
AE6610C	Wheel and Hub, Furrow	11	12PC63	Pin, Cotter, $\frac{1}{4}$ " dia. x .63" long	11
AE6620B	Bracket and Bearing Assy.	11	25PC250	Pin, Cotter, $\frac{1}{4}$ " dia. x 2.50" long	9
AE6621	Plate	11	62CSS88C	Screw, Set, $\frac{5}{16}$ " dia. x .88" long	9, 11
AE6622	Pin	11	31RB134	Rivet, Button Head, $\frac{5}{16}$ " dia. x 1.34" long	9
AE6623	Pin	11			
AE7000B	Spring	11	31RB138	Rivet, Button Head, $\frac{5}{16}$ " dia. x 1.38" long	9
AE7400A2	Axle	11			
AE7801C2	Beam	5	12PLF	Lubricator, $\frac{1}{8}$ "	9, 11
16AE7801A	Beam	5			
AE7802C2	Beam	3			

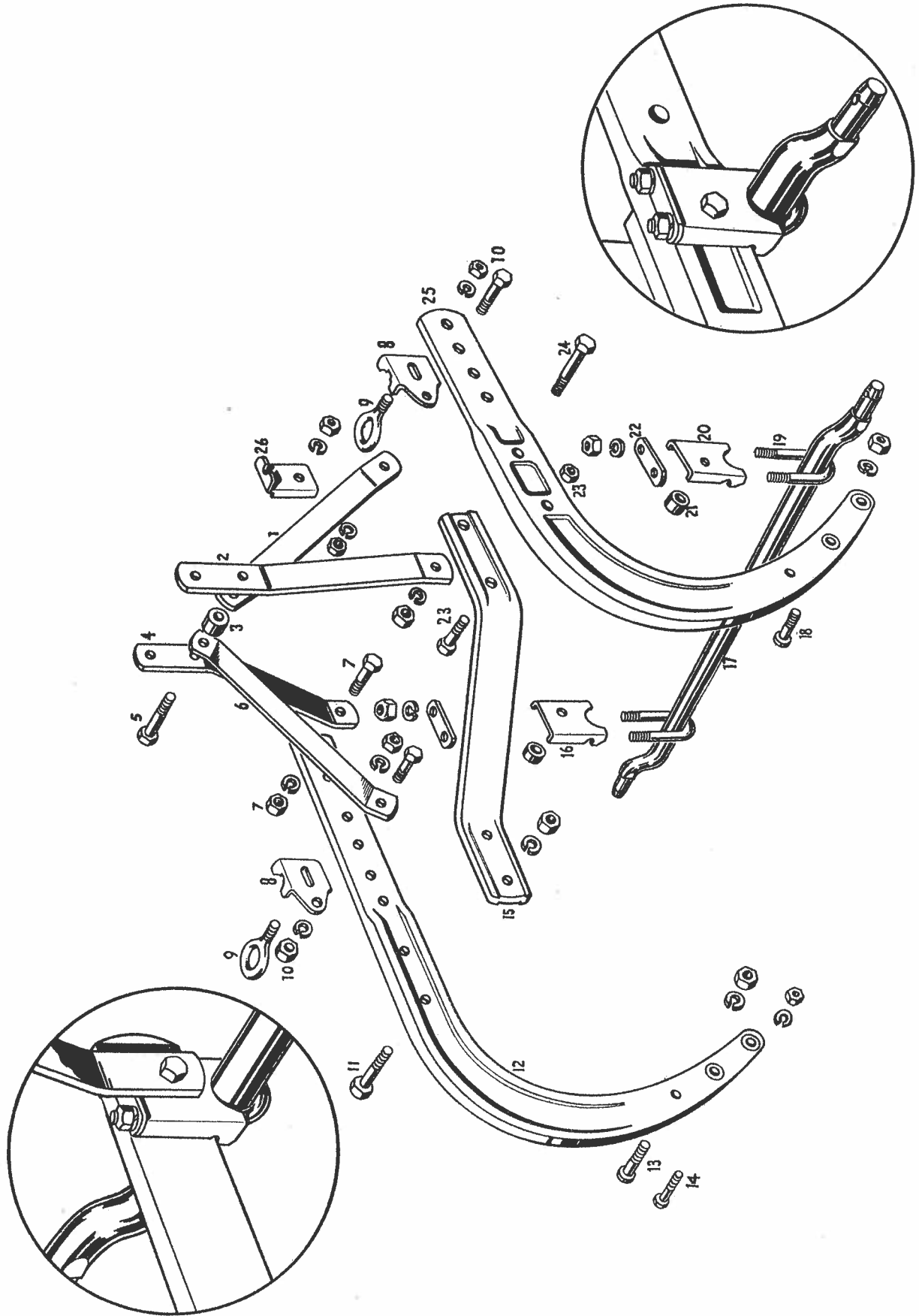


Fig. i

P L O U G H P A R T S L I S T

Ref. No.	Part No.	Description	No. Off 10"	No. Off 12"	No. Off 16"	Remarks
Fig. i.—FRAME ASSEMBLY						
1	AE8005C	Strut—Front R.H.	1	1		
2	AE8004C	Strut—Vertical R.H.	1	1	1	
3	KE9551	Spacer—Strut Top	1	1	1	
4	AE8000C AE8004C	Strut—Vertical L.H. Strut—Vertical R.H. used for L.H.	1	1	1	
5	62FBH350B 62FNHC 62WLB	Bolt—Strut to Spacer to Stopper Nut—Strut to Spacer to Stopper Lockwasher—Strut to Spacer to Stopper	1	1	1	
6	AE8002C AE8005C 16AE8002A	Strut—Rear L.H. Strut—Rear L.H. Strut—Rear	1	1	2	
7	62FBH318B 62FNHC 62WLB	Bolt—Strut L.H. to Clamp to Beam Nut—Strut L.H. to Clamp to Beam Lockwasher—Strut L.H. to Clamp to Beam	1	1	1	
8	AE3918D	Seat—Coulter Stem—Front and Rear	2	2	1	
9	AE9511C 62FNHC 62WLB	Eye Bolt—Coulter Stem Front and Rear Nut—Coulter Stem Front and Rear Lockwasher—Coulter Stem Front and Rear	2	2	1	
10	62FBH250B 62FNHC 62WLB	Bolt—Beams to Coulter Seats to Struts Nut—Beams to Coulter Seats to Struts Lockwasher—Beams to Coulter Seats to Struts...	2	2	2	
11	62FBH338B 62FNHC 62WLB	Bolt—Long Beam to Brace Nut—Long Beam to Brace Lockwasher—Long Beam to Brace	2	2	2	
12	AE7802C2	Beam—Long	1	1		
13	62FBB231B 62FNHC 62WLB	Bolt—Long Beam to Base—Top Hole Nut—Long Beam to Base—Top Hole Lockwasher—Long Beam to Base—Top Hole	1	1	1	
14	62FBB212B 62FNHC 62WLB	Bolt—Beams to Bases—Centre Hole Nut—Beams to Bases—Centre Hole Lockwasher—Beams to Bases—Centre Hole	2	2	2	
15	10AE7804C 12AE7804C 16AE7804A	Brace—Beam Brace—Beam Brace—Beam	1	1	2	
16	AE9646D	Clamp—L.H. Cross Shaft to Beam...	1	1		
17	10AE7808 12AE7808	Shaft—Cross Shaft—Cross	1	1	1	

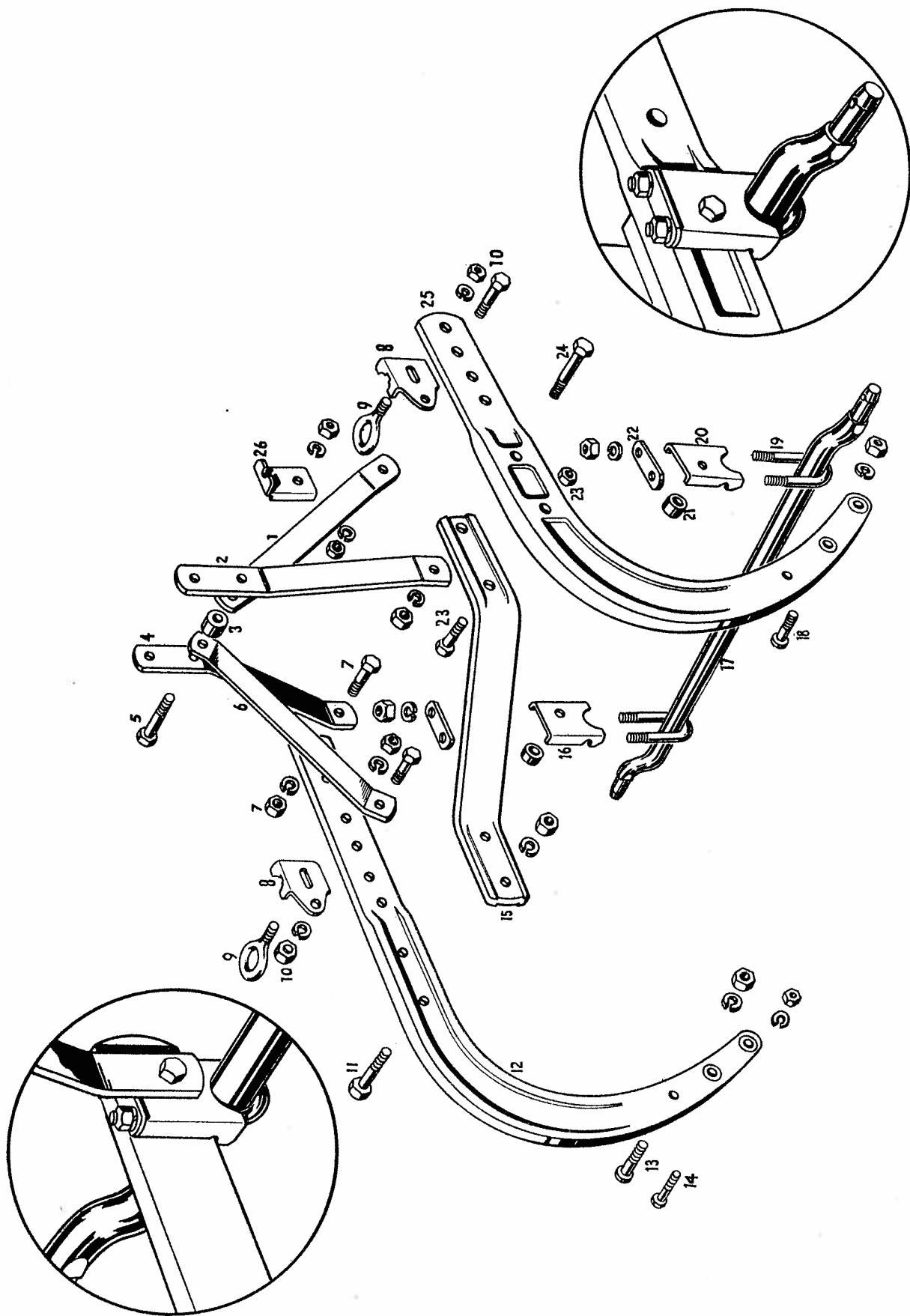


Fig. i

P L O U G H P A R T S L I S T

Ref. No.	Part No.	Description	No. Off 10"	No. Off 12"	No. Off 16"	Remarks
Fig. i.—FRAME ASSEMBLY						
18	62FBB268B	Bolt —Short Beam to Base—Top Hole	1	1		
	62FNHC	Nut —Short Beam to Base—Top Hole	1	1		
	62WLB	Lockwasher —Short Beam to Base—Top Hole ...	1	1		
19	AE9500D	"U" Bolt —Cross Shaft to Beams	2	2	2	
	62FNHC	Nut —Cross Shaft to Beams	4	4	4	
	62WLB	Lockwasher —Cross Shaft to Beams	4	4	4	
20	AE9645D	Clamp —Cross Shaft to Beam	1	1	1	
21	AE9566C	Spacer —Clamp to Beam—R.H. and L.H.	2	2	2	
22	AE9588D	Clamp "U" Bolt	2	2	2	
23	62FBH531B	Bolt —Brace to Beam... ..	1	1	1	
	62FBH338B	Bolt —Brace to Short Beam	1	1	1	
	62FNHC	Nut —Brace to Short Beam	1	1	1	
	62WFB	Washer —Brace to Beam	1	1	1	
24	62FBH462B	Bolt —Clamp R.H. to Beam to Brace to Vertical Strut	1	1	1	
	62FNHC	Nut —Clamp R.H. to Beam to Brace to Vertical Strut	1	1	1	
	62WLB	Lockwasher —Clamp R.H. to Beam to Brace to Vertical Strut	1	1	1	
25	AE7801C2	Beam —Short	1	1	1	
	16AE7801A	Beam	1	1	1	
26	AE9575C	Stopper —Pin	1	1	1	

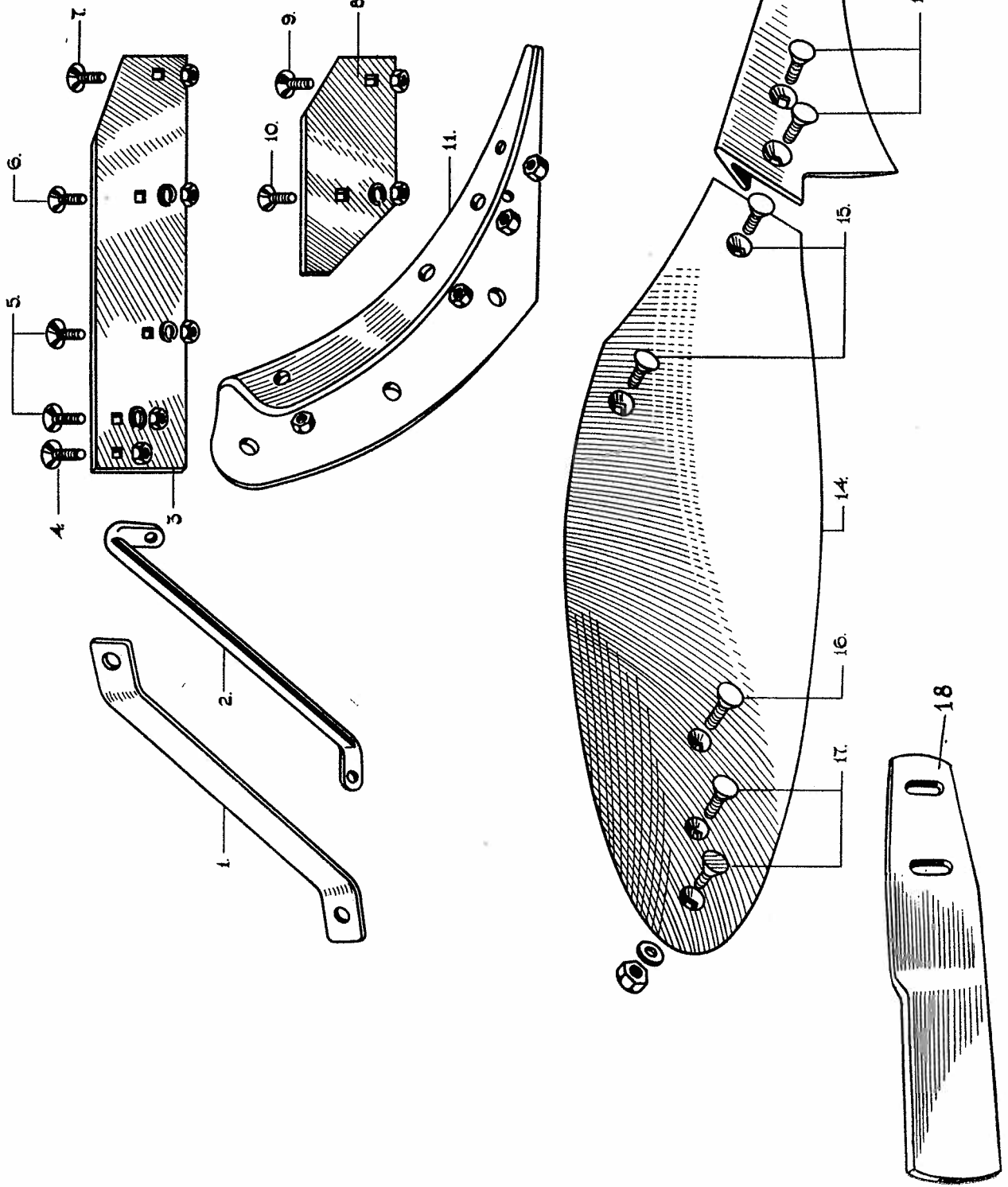


Fig. ii.

P L O U G H P A R T S L I S T

Ref. No.	Part No.	Description	No. Off 10"	No. Off 12"	No. Off 16"	Remarks
Fig. ii—BASE ASSEMBLY						
1	10HAE3810	Bracket—Mouldboard—Front	1			
	12BAE3810	Bracket—Mouldboard—Front		1		
2	10HAE3811	Bracket—Mouldboard—Rear	1			
	12BAE3811	Bracket—Mouldboard—Rear		1		
	CAE3811	Bracket—Mouldboard			1	
3	10HAE175	Landside—Rear	1			
	12BAE175A	Landside—Rear		1		
	CAE175	Landside—Long			1	
4	44FBP112B	Bolt—Landside Rear to Bracket	1	1	1	
	44FNHC	Nut—Landside—Rear—to Bracket	1	1	1	
5	62FBP180B	Bolt—Landside—Rear—to Furrow Wheel Bracket	2	2	2	
	62FNHC	Nut—Landside—Rear—to Furrow Wheel Bracket	2	2	2	
	62WLB	Lockwasher—Landside—Rear to Furrow Wheel Bracket	2	2	2	
6	62FBP250B	Bolt—Landside—Rear—to Saddle	1			
	62FBP275B	Bolt—Landside to Saddle			1	
	62FNHC	Nut—Landside—Rear—to Saddle	1			
	62WLB	Lockwasher—Landside—Rear—to Saddle	1			
7	44FBP125B	Bolt—Landside—Rear—to Saddle	1			
	44FNHC	Nut—Landside—Rear to Saddle	1			
8	10HAE173	Landside—Front	1			
	12BAE173A	Landside—Front		1		
9	44FBP125B	Bolt—Landside—Front—to Saddle... ..	1			
	44FNHC	Nut—Landside—Front—to Saddle	1			
10	62FBP250B	Bolt—Landside—Front—to Saddle	1			
	62FNHC	Nut—Landside—Front—to Saddle	1			
	62WLB	Lockwasher—Landside—Front to Saddle	1			
11	10HAE3800C	Saddle	2			
	12BAE3800C	Saddle		2		
	CAE3800C	Saddle			1	
12	10HCAE127	Share—Cast Iron—8" Wing—Sharp Point	2			
	10HCAE131	Share—Cast Iron	2			
	10HFAE131	Share—Fabricated Steel	2			
	12BCAE131	Share—Cast Iron		2		
	12BFAE131	Share—Fabricated Steel—12" Wing		2		
	12BFAE191	Share—Fabricated Steel—10" Wing		2		
	16CFAE121	Share—Fabricated Steel			1	
13	44FBP125B	Bolt—Share to Saddle	4	4	2	
	44FNHC	Nut—Share to Saddle	4	4	2	
14	10HAE110	Mouldboard Assy.—including items 15, 16 and 17	2			
	12BAE110	Mouldboard Assy.—including items 15, 16 and 17		2		
	CAE110	Mouldboard Assy.—including items 15, 16 and 17			1	
15	44FBP125B	Bolt—Mouldboard to Bracket	4	6	3	
	44FNHC	Nut—Mouldboard to Bracket	4	6	3	
16	44FBP112B	Bolt—Mouldboard to Bracket	2	2	1	
	44FNHC	Nut—Mouldboard to Bracket	2	2	1	
	50WFHB	Washer—Mouldboard to Bracket	2	2	1	
17	44FBP112B	Bolt—Mouldboard to Extension	4	4	2	
	44FNHC	Nut—Mouldboard to Extension	4	4	2	
	50WFHB	Washer—Mouldboard to Extension	4	4	2	
18	AE140B	Extension—Mouldboard	2	2	1	
Not Illustrated						
	44FBP100B	Bolt—Clip to Share			2	
	44FNHC	Nut—Clip to Share			2	
	CAE3815	Clip			1	
	44FBP100B	Bolt—Mouldboard to Clip			2	
	44FNHC	Nut—Mouldboard to Clip			2	
	BAE9570	Shim—Mouldboard Fitting		1		
	CAE9570	Shim—Mouldboard Fitting			1	
	HAE9570	Shim—Mouldboard Fitting	1			

X

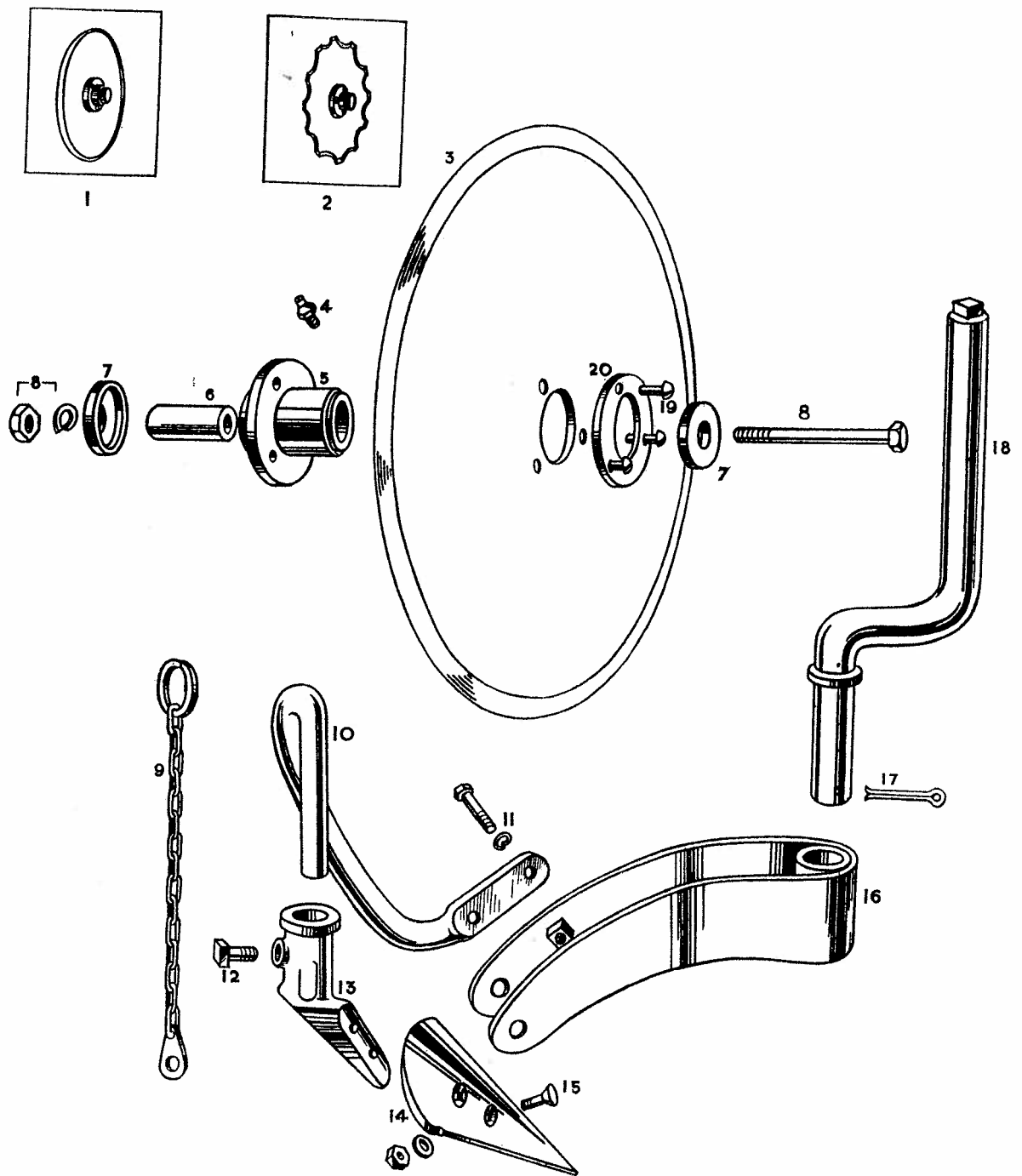
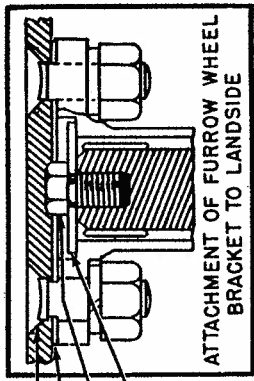


Fig. iii

P L O U G H P A R T S L I S T

Ref. No.	Part No.	Description	No. Off 10"	No. Off 12"	No. Off 16"	Remarks
Fig. iii.—COULTER, SKIMMER AND CHAIN ASSEMBLY						
1	AE194	Disc and Hub Assembly—Coulter—Plain ...	2	2	1	
2	AE195	Disc and Hub Assembly—Coulter—Cutout— composed of items 3, 4, 5, 19 and 20 ...	2	2	1	
3	AE202	Disc—Coulter—Plain	2	2		
	AE204	Disc—Coulter—Cutout	2	2		
	16AE202	Disc—Coulter—Plain			1	
	16AE204	Disc—Coulter—Cutout			1	
4	I2PLF	Lubricator	2	2	1	
5	AE5505A2	Hub—Coulter	2	2	1	
6	AE5503A2	Bushing—Coulter Hub	2	2	1	
7	AE5500	Cover—Coulter Hub	4	4	2	
8	44FBH468B	Bolt—Coulter Fork to Hub	2	2	1	
	44FNHC	Nut—Coulter Fork to Hub	2	2	1	
	44WLB	Lockwasher—Coulter Fork to Hub	2	2	1	
9	AE1505C	Chain and Anchor Assembly Skimmer Arm...	2	2	1	
10	AE3803A2	Arm—Skimmer	2	2	1	
11	44FBH131B	Bolt—Skimmer Arm to Fork	2	2	1	
	44FBH125B	Bolt—Skimmer Arm to Fork	2	2	1	
	44FNHC	Nut—Skimmer Arm to Fork	2	2	1	
	44WLB	Lockwasher—Skimmer Arm to Fork	2	2	1	
12	62CSS88C	Set Screw—Palm to Skimmer Arm	2	2	1	
13	AE3804	Palm—Skimmer	2	2	1	
14	AE178C	Blade Assembly—Skimmer composed of blade, not serviced and bolts (item 15) ground in place	2	2		
	16AE178	Blade Assembly—Skimmer composed of blade, not serviced and bolts (item 15) ground in place			1	
15	44FBP125B	Bolt—Skimmer Blade to Palm	4	4	2	
	44FNHC	Nut—Skimmer Blade to Palm	4	4	2	
	44WFHB	Washer—Skimmer Blade to Palm	4	4	2	
16	AE3861A2	Fork Assembly—Coulter	2	2		
	16AE3861B	Fork Assembly—Coulter			1	
17	25PC250	Pin—Cotter	2	2	1	
18	AE3805A2	Stem Assembly—Coulter	2	2		
	16AE3805B	Stem Assembly—Coulter			1	
19	31RB134	Rivet—Collar to Disc to Hub	6	6		
	31RB138	Rivet—Collar to Disc to Hub			3	
20	16AE101	Collar—Coulter Disc	2	2	1	

X



17
16
15
14

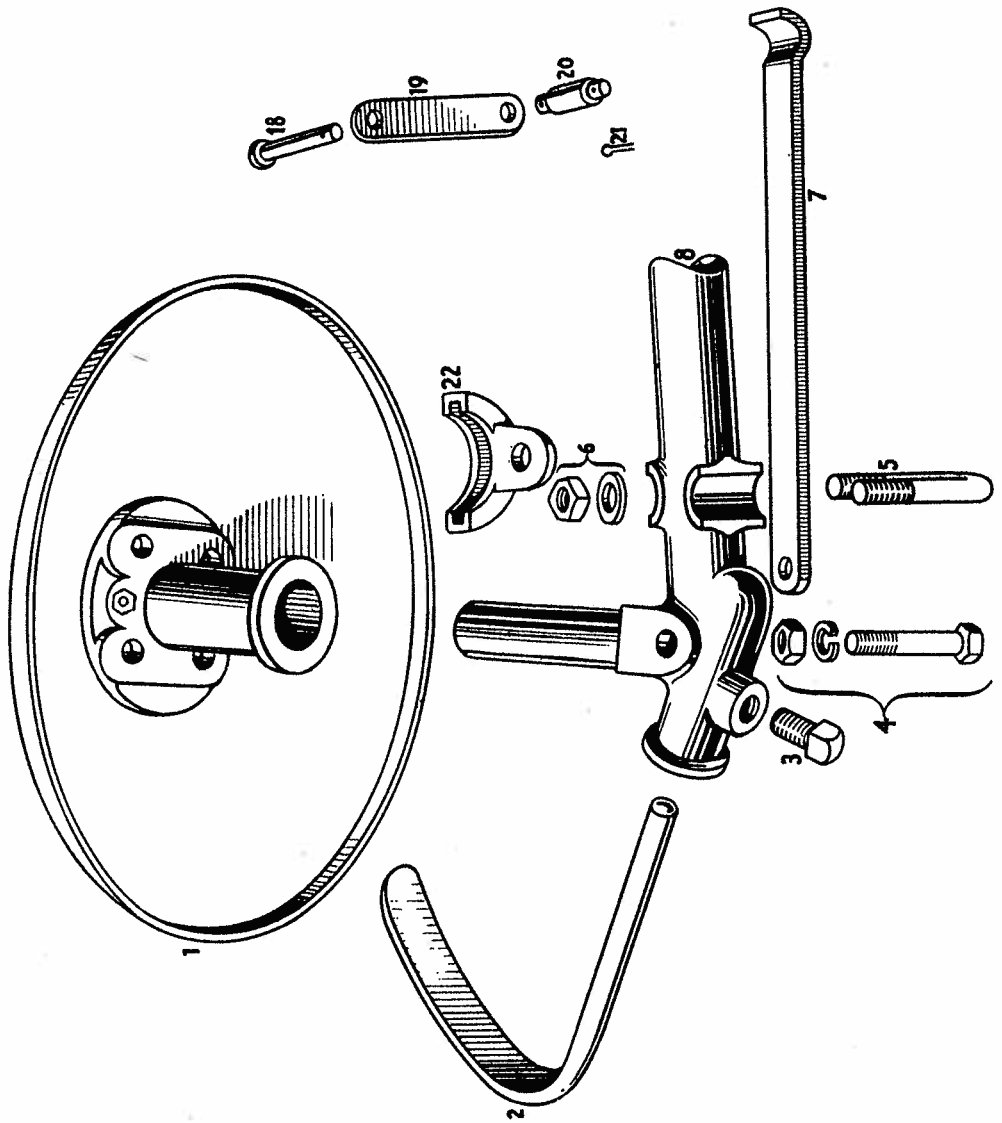
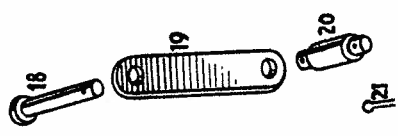
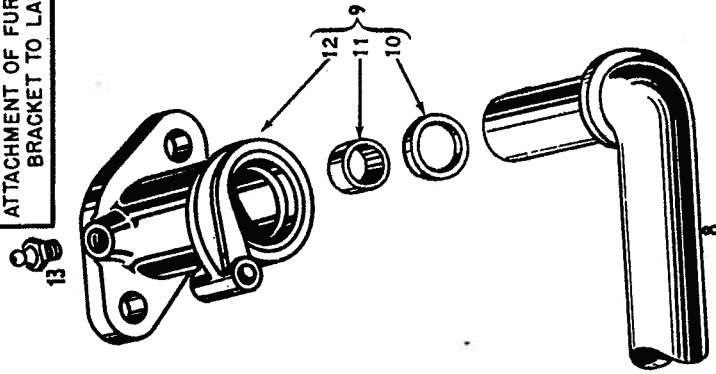


Fig. iv.

P L O U G H P A R T S L I S T

Ref. No.	Part No.	Description	No. Off 10"	No. Off 12"	No. Off 16"	Remarks
Fig. iv.—FURROW WHEEL AND BRACKET ASSEMBLY						
1	AE6610-C I2PLF	Furrow Wheel and Hub Assembly Lubricator —see reference 13 for illustration	1 1	1 1	1 1	
2	AE3806	Scraper —Furrow Wheel	1	1	1	
3	62CSS88C	Set Screw —Furrow Wheel Axle to Scraper	1	1	1	
4	44FBH238B 44FNHC 44WLB	Bolt —Cap to Axle Nut —Cap to Axle Lockwasher —Cap to Axle	1 1 1	1 1 1	1 1 1	
5	AE9501	"U" Bolt —Axle to Spring	1	1	1	
6	44FNHC 44WFHB	Nut —"U" Bolt Washer —Flat "U" Bolt	2 2	2 2	2 2	
7	AE7000B	Spring —Furrow Wheel	1	1	1	
8	AE7400A2	Axle —Furrow Wheel	1	1	1	
9	AE6620B	Bracket Assembly —Furrow Wheel composed of items 10 through 13	1	1	1	
10	AE9520	Seal —Furrow Wheel Bracket	1	1	1	
11	AE5515	Bearing —Furrow Wheel Bracket	2	2	2	
12	AE3802B2	Bracket —Furrow Wheel	1	1	1	
13	I2PLF	Lubricator —Bracket	1	1	1	
14	S9533	Washer —Furrow Wheel Bracket to Axle	1	1	1	
15	44FBH88B	Bolt —Bracket to Axle	1	1	1	
16	AE177	Gasket —Bracket to Landside	1	1	1	
17	62FBP180B 62FNHC 62WLB	Bolt —Landside to Bracket—shown also on Fig. 2... Nut —Landside to Bracket—shown also on Fig. 2... Lockwasher —Landside to Bracket—shown also on Fig. 2	2 2 2	2 2 2	2 2 2	
18	AE6622	Pin —Upper—Furrow Wheel Spring Plate	1	1	1	
19	AE6621	Plate —Furrow Wheel Spring	2	2	2	
20	AE6623	Pin —Lower—Furrow Wheel Spring Plate	1	1	1	
21	I2PC63	Pin —Cotter	3	3	3	
22	AE5502B	Cap —Dust—Furrow Wheel Hub	2	2	2	



The
FERGUSON SYSTEM